

# Technical data sheet



## Product features

### Bain marie electric GN 1/1 - 200 without cabinet

<b>Model</b>	<b>SAP Code</b>	00018585
--------------	-----------------	----------



- Water inlet: automatic valve operated by button
- Drain type: On the front panel
- Drain: Yes
- Safety drain: Yes
- Material: AISI 304 top plate, AISI 430 cladding
- Protection of controls: IPX4
- Maximum device temperature [°C]: 90

<b>SAP Code</b>	00018585	<b>Power electric [kW]</b>	1.600
<b>Net Width [mm]</b>	400	<b>Loading</b>	230 V / 1N - 50 Hz
<b>Net Depth [mm]</b>	700	<b>Number of GN / EN</b>	1
<b>Net Height [mm]</b>	330	<b>GN / EN size in device</b>	GN 1/1
<b>Net Weight [kg]</b>	15.00	<b>GN device depth</b>	200

# Technical data sheet



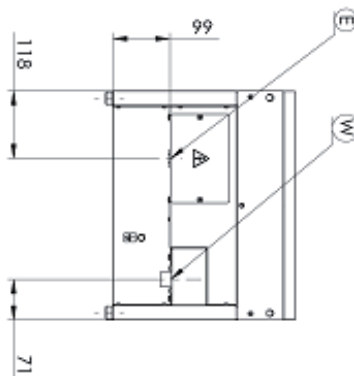
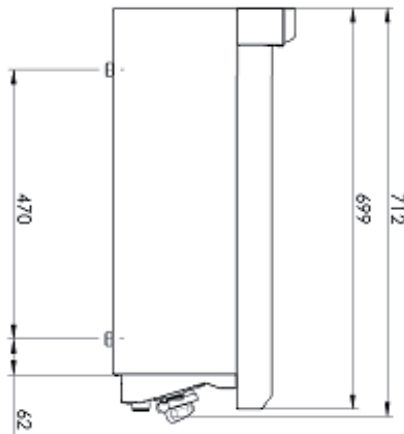
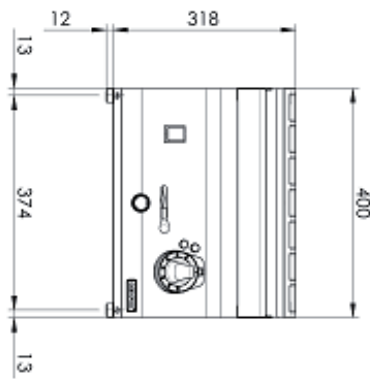
Technical drawing

Bain marie electric GN 1/1 - 200 without cabinet

Model

SAP Code

00018585



# Technical data sheet



## Technical parameters

### Bain marie electric GN 1/1 - 200 without cabinet

Model

SAP Code

00018585

**1. SAP Code:**

00018585

**2. Net Width [mm]:**

400

**3. Net Depth [mm]:**

700

**4. Net Height [mm]:**

330

**5. Net Weight [kg]:**

15.00

**6. Gross Width [mm]:**

460

**7. Gross depth [mm]:**

820

**8. Gross Height [mm]:**

494

**9. Gross Weight [kg]:**

20.00

**10. Device type:**

Electric unit

**11. Construction type of device:**

Table top

**12. Power electric [kW]:**

1.600

**13. Loading:**

230 V / 1N - 50 Hz

**14. Protection of controls:**

IPX4

**15. Material:**

AISI 304 top plate, AISI 430 cladding

**16. Indicators:**

operation and warm-up

**17. Worktop material:**

AISI 304

**18. Worktop Thickness [mm]:**

1.20

**19. Maximum device temperature [°C]:**

90

**20. Minimum device temperature [°C]:**

30

**21. Safety element:**

safety valve against accidental release

**22. Adjustable feet:**

Yes

**23. Number of basins:**

1

**24. Basin material:**

AISI 304 - High quality stainless steel

**25. Heating element construction:**

Heating element under the bottom of the tub

**26. Water inlet:**

automatic valve operated by button

**27. Drain type:**

On the front panel

**28. Drain:**

Yes

# Technical data sheet



Technical parameters

Bain marie electric GN 1/1 - 200 without cabinet

<b>Model</b>	<b>SAP Code</b>	00018585
--------------	-----------------	----------

**29. Safety drain:**

Yes

**31. GN / EN size in device:**

GN 1/1

**30. Number of GN / EN:**

1

**32. GN device depth:**

200